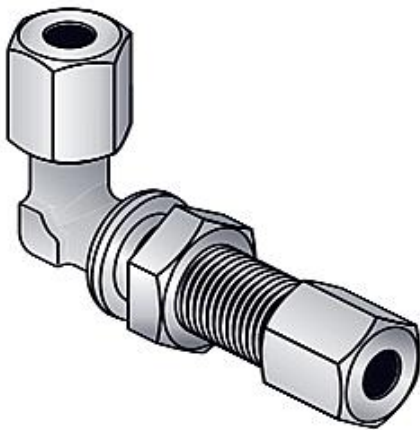
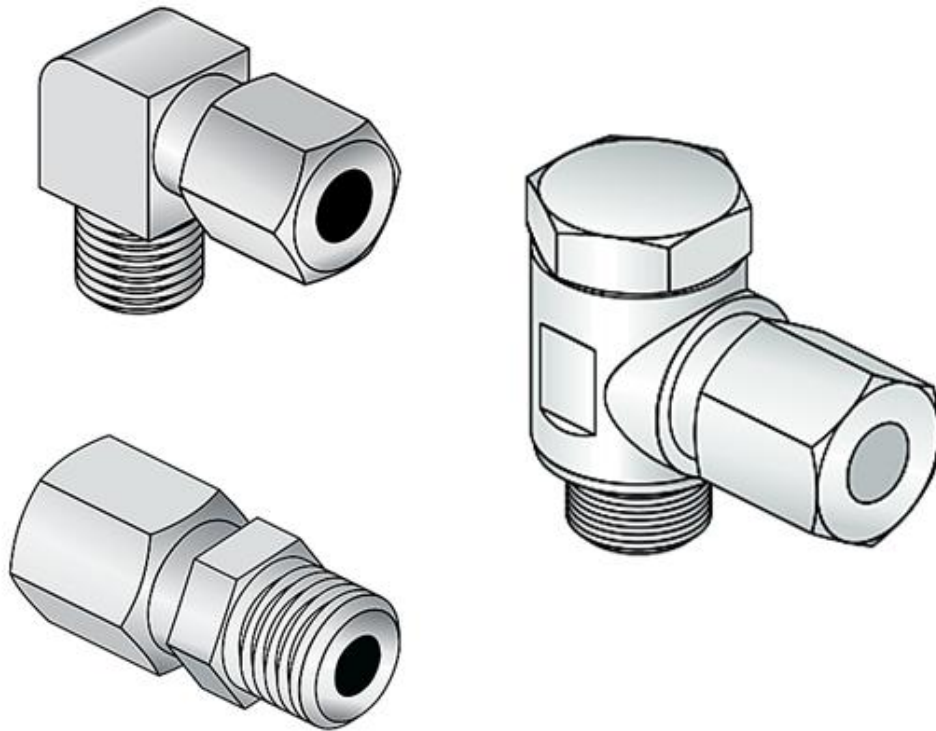


Lubrication Tube Fitting/Cutting Ring Fittings



Lubrication Tube Fittings Types:

DIN 2353 L LL S series ISO 8434-1 L series

Taper Thread of Metric and BSP

Shapes of Lubrication Tube Fittings

Straight

Elbow

Tee

Banjo

Match Port types Standards As Follows:

BSPP Port

Metric Port

Catalog of Lubrication Tube Fittings

Dimensions of Lubrication Tube Fittings

Lubrication Tube Fittings Introduction

Lubrication tube fittings is from DIN 24 degree cone tube ends or to taper thread stud ends, such as Metric taper and BSP taper thread,, it will be matched with port tapping parallel thread stands of BSPP Port and Metric Port, grease line compression fittings connect to tubes, tubing system, plastic tubes and hose lines, sealing by 24 degree cone end with DIN 3870 coupling nut and DIN 3861 cutting ring assembly.

Central lubrication system fittings are designed for high- pressure oil, fluid grease and grease lubrication systems with pressure up to 400 bar and more with an operating temperature range from -25 to 80 ° C. Depending on the operating pressure, the fittings are available in pressure series: LL (very light), L (light) and S (heavy). The pipe connections, threads and pressure series are defined in DIN EN ISO 8434-1 (formerly DIN2353).

Central lubrication tube fittings are used in applications such as :Automobile Agricultural, Marine, Truck, Construction Equipment, Machine Manufacturing Industries etc.

Types of lubrication tube fittings as follows:

Compression Nuts

Compression Sleeves

Male Stud Straight Connector

Male Union Straight Connector

Male Stud Elbow Connector

Male Union Elbow Connector

Male Union Tee Connector

Male Bulkhead Straight Connector

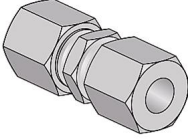
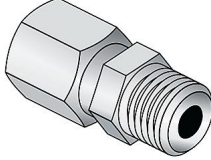
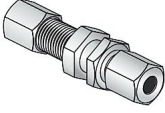
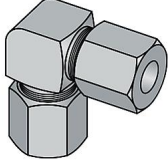
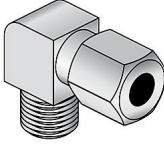
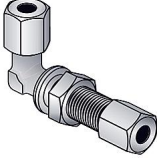
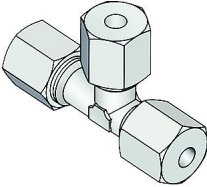
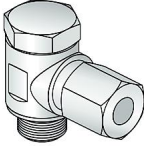
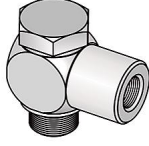
Male Bulkhead Elbow Connector

Male Banjo Elbow Swivel Connector

Female Banjo Elbow Swivel Connector

Overview catalogue Of Lubrication Tube Fittings Connectors

Central lubrication tube fitting is made of these shapes, from forging/shape material as follows:

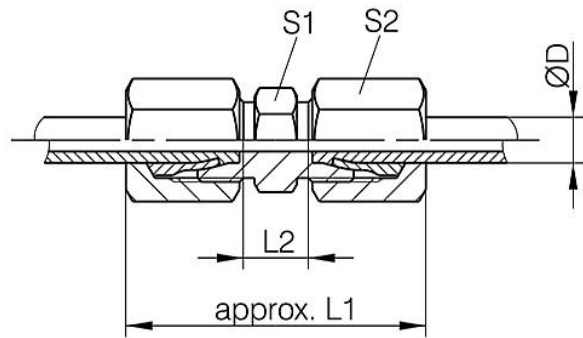
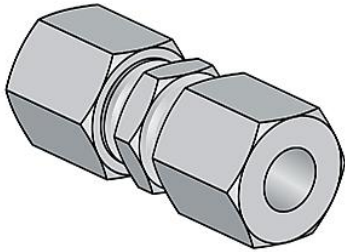
<p>G 1C 1D</p> 	<p>GE-M-K/GE-R-K</p> 	<p>SV 6C 6D</p> 
<p>W 1C9 1D9</p> 	<p>WE-M-K/WE-R-K</p> 	<p>WSV 6C9 6D9</p> 
<p>T AC</p> 	<p>1CI-M/1CI-B</p> 	<p>1FMI/1FGI</p> 

Lubrication Tube Fittings

DIN 2353/ISO 8434-1 LL/L series

G Male Straight Union Lubrication Fittings

DIN 24° cone end, ISO 8434-1/DIN 2353 straight union connector



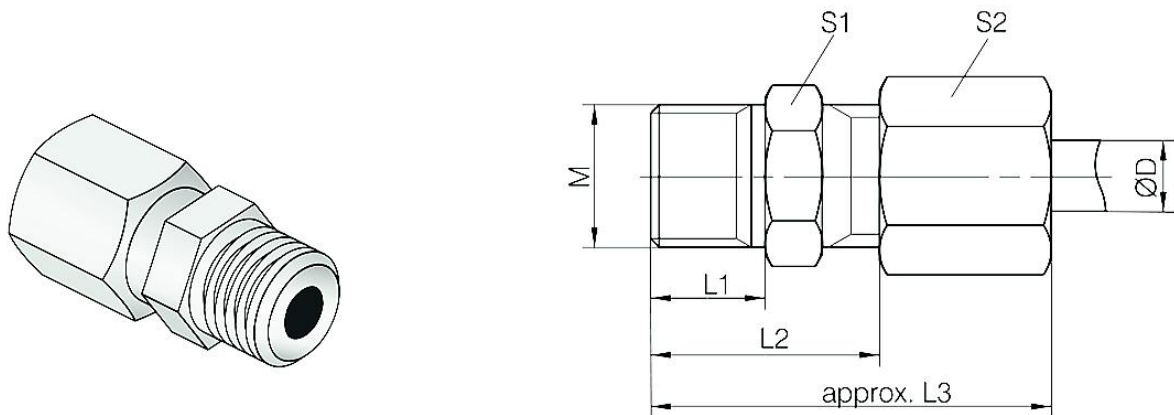
Part No.	ØD	Series*	L1	L2	S1	S2	Cross reference
G4LL	4	LL	31	12	9	10	104-000
G6LL	6	LL	32	9	11	12	106-000
G6L	6	L	39	10	12	14	106L-000
G6S	6	S	45	16	14	17	106S-000
G8LL	8	LL	35	12	12	14	108-000
G8L	8	L	40	11	14	17	108L-000
G8S	8	S	47	18	17	19	108S-000
G10L	10	L	42	13	17	19	110-000

Lubrication Tube Fittings

DIN 2353/ISO 8434-1 LL/L series

GE-M-K GE-R-K Male Stud Straight Lubrication Fittings

DIN 24° cone end, ISO 8434-1/DIN 2353 to Metric Keg taper and BSP taper thread



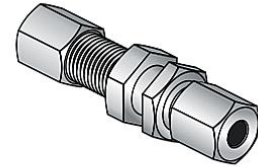
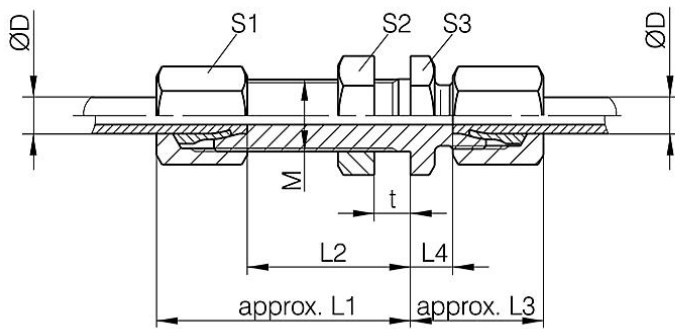
Part No.	ØD	Series	M	L1	L2	L3	S1	S2	Cross Reference
GE4M6KLL	4	LL	M6k	8	16	26	10	10	104-031
GE4M8.1KLL	4	LL	M8x1k	8	16	26	10	10	104-032
GE4M10.1KLL	4	LL	M10x1k	8	14,5	26	11	12	104-033
GE6M6KLL	6	LL	M6k	8	14,5	26	11	12	106-031
GE6M8.1KLL	6	LL	M8x1k	8	14,5	26	11	12	106-032
GE6M10.1KLL	6	LL	M10x1k	8	14,5	26	11	12	106-033
GE6R1/8KLL	6	LL	R1/8"k	8	14,5	26	11	12	106-034
GE6R1/4KS	6	S	R1/4"k	11,5	23,5	40	17	17	106S-035
GE8M10.1KLL	8	LL	M10x1k	8	16,5	28	12	14	108-033
GE8R1/4KL	8	L	R1/4"k	12	20	35	17	17	108L-034

Lubrication Tube Fittings

DIN 2353/ISO 8434-1 LL/L series

SV Male Straight Bulkhead Lubrication Fittings

DIN 24° cone end, ISO 8434-1/DIN 2353 to bulkhead straight connector



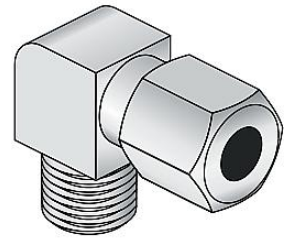
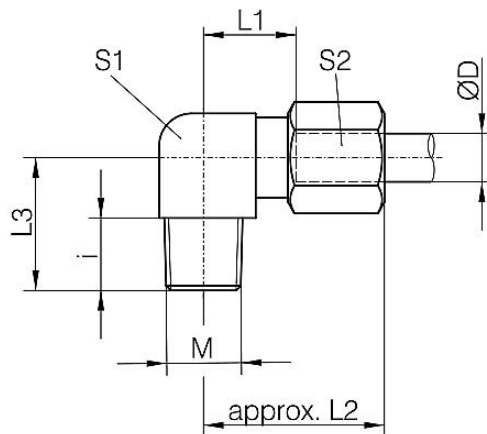
Part No.	ØD	Series	M	L1	L2	L3	L4	S1	S2	S3	t _{max}
SV06L	6	L	M12x1,5	42	27	22	7	14	17	17	16
SV08L	8	L	M14x1,5	42	27	23	8	17	19	19	16

Lubrication Tube Fittings

DIN 2353/ISO 8434-1 LL/L series

WE-M-K WE-R-K Male Stud Elbow Lubrication Fittings

DIN 24° cone end, ISO 8434-1/DIN 2353 to Metric Keg taper and BSP taper thread elbow connector



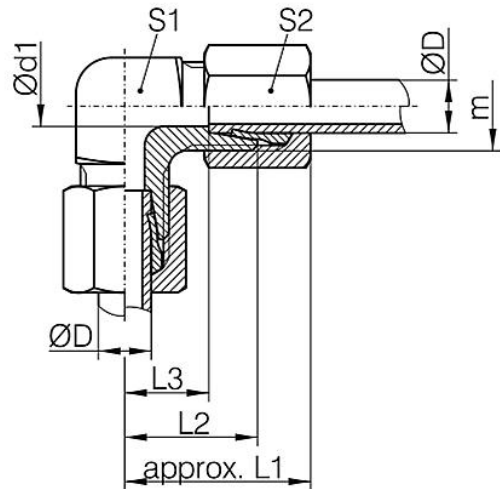
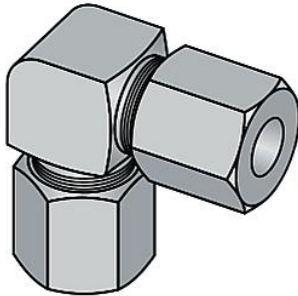
Designation	ØD	Series	M	i	L1	L2	L3	S1	S2	Cross reference
WE4M6KLL	4	LL	M6k	8	11	21	17	9	10	104-131
WE4M8.1KLL	4	LL	M8x1k	8	11	21	17	9	10	104-132
WE4M10.1KLL	4	LL	M10x1k	10	11	21	17	11	10	104-133
WE4R1/8KLL	4	LL	R1/8"k	8	11	21	18	11	10	104-134
WE6M6KLL	6	LL	M6k	8	9,5	21	17	11	12	106-131
WE6M8.1KLL	6	LL	M8x1k	11	9,5	21	17	11	12	106-132
WE6M10.1KLL	6	LL	M10x1k	9	9,5	21	17	11	12	106-133
WE6M10.1KL	6	L	M10x1k	9	12	27	20	12	14	106L-133
WE6R1/8KLL	6	LL	R1/8"k	8	10	22	17	11	12	106-134
WE6R1/4KS	6	S	R1/4"k	10	16	31	27	14	17	106S-135
WE8M10.1KLL	8	LL	M10x1k	8	11,5	23	20	12	14	108-133
WE8R1/8KLL	8	LL	R1/8"k	8	11,5	23	20	12	14	108-134
WE8R1/4KL	8	L	R1/4"k	12	14	29	27	14	17	108L-135
WE10R1/4KL	10	L	R1/4"k	12	15	30	27	17	19	110L-135
WE12R3/8KL	12	L	R3/8"k	12	17	32	28	19	22	112L-136

Lubrication Tube Fittings

DIN 2353/ISO 8434-1 LL/L series

W Male Elbow Union Lubrication Fittings

DIN 24° cone end, ISO 8434-1/DIN 2353 elbow union connector



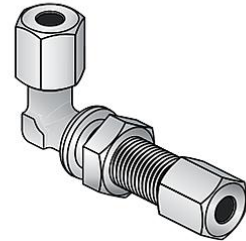
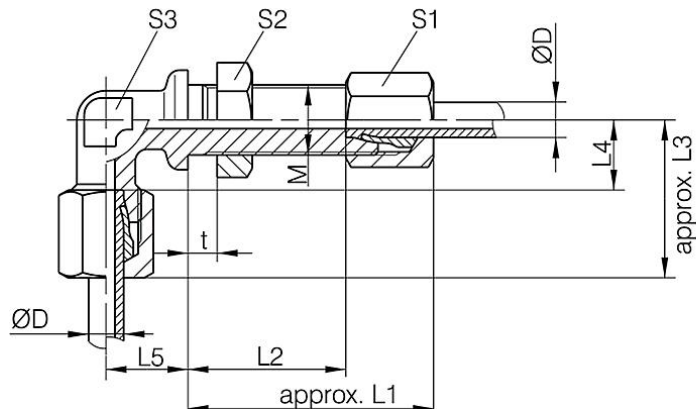
Designation	ØD	Series	m	L1	L2	L3	Ød1	S1	S2	Cross Reference
W4M8.1LL	4	LL	M8x1	21	15	11	3	9	10	104-130
W6M10.1LL	6	LL	M10x1	21	15	9,5	4,5	9	12	106-130
W8M12.1LL	8	LL	M12x1	23	17	11,5	6	12	14	108-130
W10M16.1.5L	10	L	M16x1,5	30	22	15	8	14	19	110L-130

Lubrication Tube Fittings

DIN 2353/ISO 8434-1 LL/L series

WSV Male Elbow Bulkhead Lubrication Fittings

DIN 24° cone end, ISO 8434-1/DIN 2353 elbow bulkhead connector



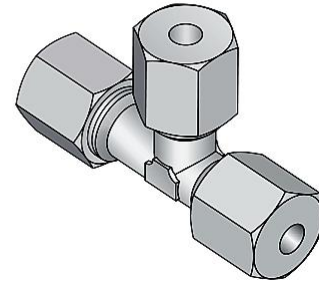
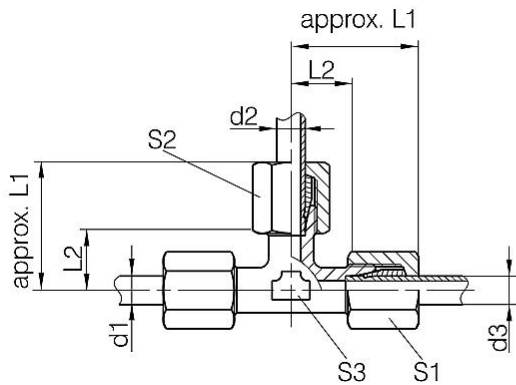
Part No.	ØD	Series	M	L1	L2	L3 _{max}	L4	L5	S1	S2	S3	t _{max}
WSV06L	6	L	M12x1,5	42	27	27	12	14	14	17	12	16
WSV06S	6	S	M14x1,5	44	29	31	16	17	17	19	12	16
WSV08L	8	L	M14x1,5	42	27	29	14	17	17	19	12	16

Lubrication Tube Fittings

DIN 2353/ISO 8434-1 LL/L series

T Male Tee Union Lubrication Fittings

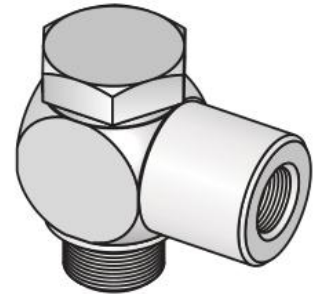
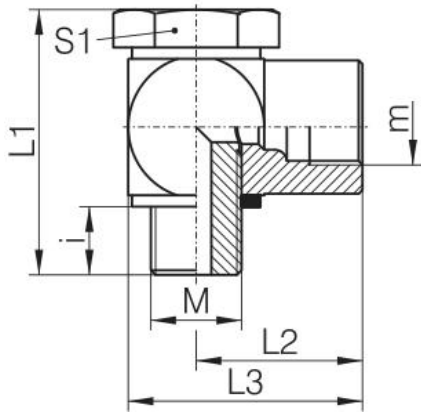
DIN 24° cone end, ISO 8434-1/DIN 2353 tee union connector



Part No.	d1	d2	d3	Series	L1	L2	S1	S2	S3
T4LL	4	4	4	LL	21	11	10	10	10
T6L	6	6	6	L	27	12	12	12	14
T6LL	6	6	6	LL	21	9,5	11	11	12
T6S	6	6	6	S	31	16	14	14	17
T8L	8	8	8	L	29	14	14	14	17
T8LL	8	8	8	LL	23	11,5	12	12	14
TR 6.4.6 LL	6	4	6	LL	39	25	14	10	14
TR 8.6.8 L	8	6	8	L	29	14	17	14	12
TR10.6.10 L	10	6	10	L	30	15	19	14	14
TR8.10.8 L	8	10	8	L	30	15	17	19	17
TR10.8.10 L	10	8	10	L	45	15	19	17	17

1FMI/1FGI Female Banjo Lubrication Fittings

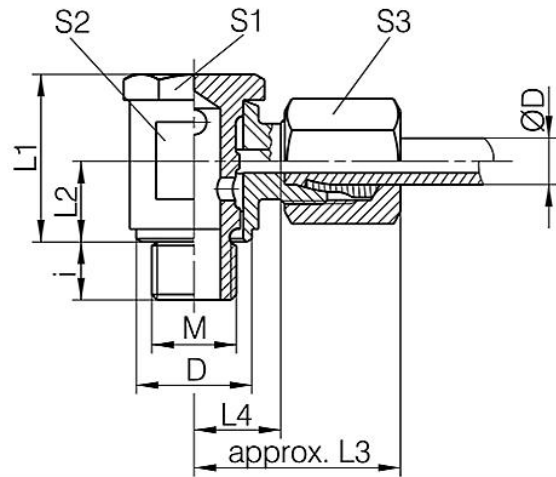
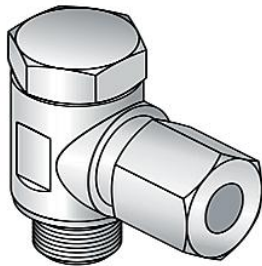
Swivel banjo female connector



Part No.	Pipe-Ø	M	m	i	L1	L2	L3	S1
1FMI-6-6*0.75	2,5	M6x0,75	M6	6	24	18	24	12
1FMI-8-5	4	M5	M8x1	6	24	18	24	12
1FMI-8-6	4	M6	M8x1	6	24	18	24	12
1FMI-8-6*0.75	4	M6x0,75	M8x1	6	24	18	24	12
1FMI-8-8	4	M8	M8x1	6	24	18	24	12
1FMI-8-10	4	M10x1	M8x1	7	26,5	19	26	14
1FGI-8-18	4	G1/8	M8x1	7	26,5	19	26	14
1FMI-10-10	6	M10x1	M10x1	7	26,5	20	27	14
1FMI-10-12	6	M12x1	M10x1	10	35	22	31	17
1FGI-10-14	6	G1/4	M10x1	10	35	22	31	19
1FGI-10-18	6	G1/8	M10x1	7	26,5	20	27	14
1FMI-14-12	8	M12x1	M14x1,5	7	34	29	39	17

1CI-M/1CI-B Male Banjo Lubrication Fittings

DIN 2353 24° cone end, ISO 8434-1 male swivel banjo connector



Part No.	Series	ØD	M	i	D	L1	L2	L3	L4	S1	S2	S3
1CI-04LL-10	LL	4	M10x1	6	13	20	9,5	22	10	14	14	12
1CI-04LL-08	LL	4	M8x1	6	13	18	8	21	11,5	14	14	10
1CI-06LL-08	LL	6	M8x1	6	13	20	9,5	22	10	14	14	12
1CI-06LL-10	LL	6	M10x1	6	13	20	9,5	22	10	14	14	12
1CI-06-10	L	6	M10x1	6	14,5	22	10	26	11,5	14	17	14
1CI-06-B02	L	6	G1/8	6	14,5	22	10	26	11,5	14	17	14
1DI-06-B04	S	6	G1/4	9	18	26	12,5	29	14,5	19	19	17
1CI-08LL-10	LL	8	M10x1	6	13	21,5	10	23	11	14	14	14
1CI-08LL-08	LL	8	M8x1	6	13	21,5	10	23	11	14	14	14
1CI-08LL-B02	LL	8	G1/8	6	13	21,5	10	23	11	14	14	14
1CI-08-B04	L	8	G1/4	9	18	26	12,5	28	13	19	19	17
1CI-10-B04	L	10	G1/4	9	19	26	13,5	30	15	19	22	19
1DI-10-B06	S	10	G3/8	9	21,8	32	15,5	32	16	22	24	22
1CI-12-B06	L	12	G3/8	9	21,8	32	15,5	31	16	22	24	22